

PRODUCT INFORMATION PACKET



Model No: C145T34WK37A

Catalog No: 122185.00

2HP..3490RPM.145TC.TEFC.230/460V.3PH.60HZ.CONT.40C.1.15SF.RIGID C
FACE.C145T34WK37.....WASHDOWN DUTY.NONE.....

General Purpose



Regal and Leeson are trademarks of Regal Beloit Corporation or one of its affiliated companies.

©2018 Regal Beloit Corporation, All Rights Reserved. MC017097E



**Product Information Packet: Model No: C145T34WK37A, Catalog No:122185.00
 2HP..3490RPM.145TC.TEFC.230/460V.3PH.60HZ.CONT.40C.1.15SF.RIGID C
 FACE.C145T34WK37.....WASHDOWN DUTY.NONE.....**



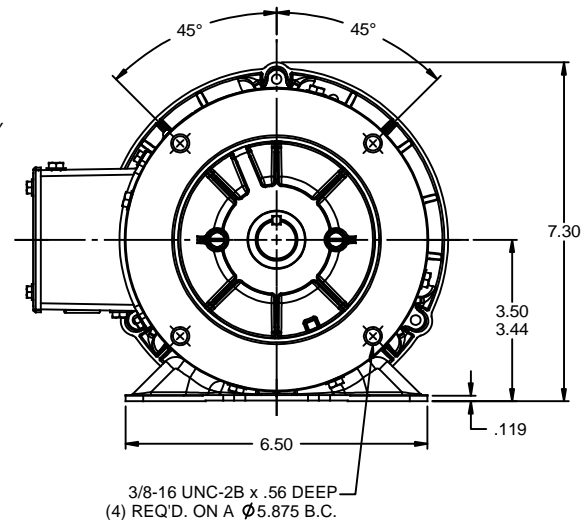
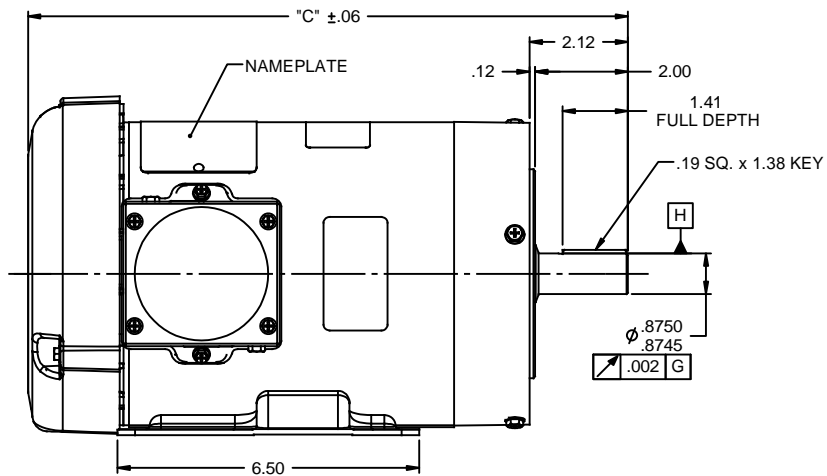
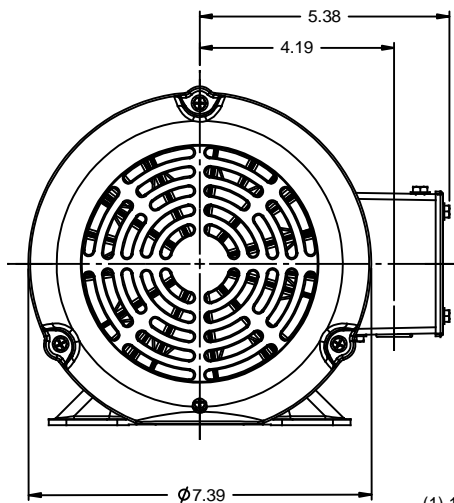
Nameplate Specifications

Output HP	2 Hp	Output KW	1.5 kW
Frequency	60 Hz	Voltage	208-230/460 V
Current	5.2-4.8/2.4 A	Speed	3490 rpm
Service Factor	1.15	Phase	3
Efficiency	85.5 %	Duty	Continuous
Insulation Class	F	Design Code	A
KVA Code	L	Frame	145TC
Enclosure	Totally Enclosed Fan Cooled	Overload Protector	No
Ambient Temperature	40 °C	Drive End Bearing Size	6205
Opp Drive End Bearing Size	6203	UL	Recognized
CSA	Y	CE	Y
IP Code	55		

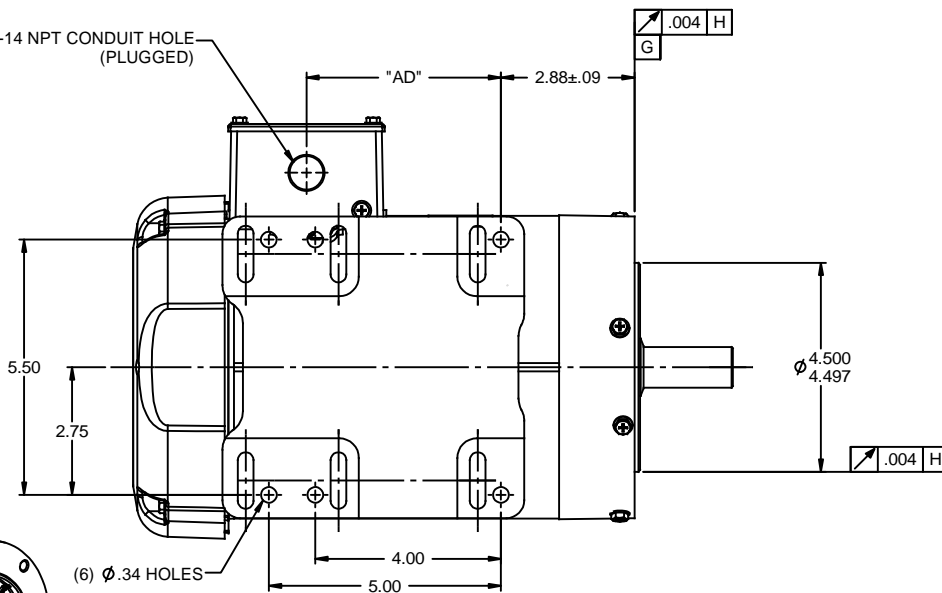
Technical Specifications

Electrical Type	Squirrel Cage Induction Run	Starting Method	Across The Line
Poles	2	Rotation	Reversible
Mounting	Rigid base	Motor Orientation	HORIZONTAL
Drive End Bearing	BALL	Opp Drive End Bearing	BALL
Frame Material	Rolled Steel	Shaft Type	T
Overall Length	13.43 in	Frame Length	7.50 in
Shaft Diameter	0.875 in	Shaft Extension	2 in
Assembly/Box Mounting	F1 ONLY		
Outline Drawing	607-0003-750	Connection Diagram	005010.20

This is an uncontrolled document once printed or downloaded and is subject to change without notice. Date Created: 10/15/2018



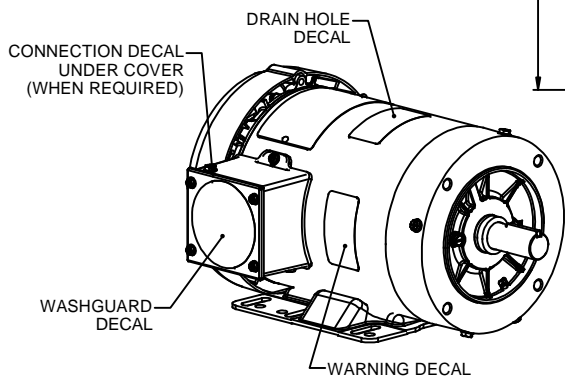
(1) 1/2-14 NPT CONDUIT HOLE (PLUGGED)



WASHGUARD MOTOR

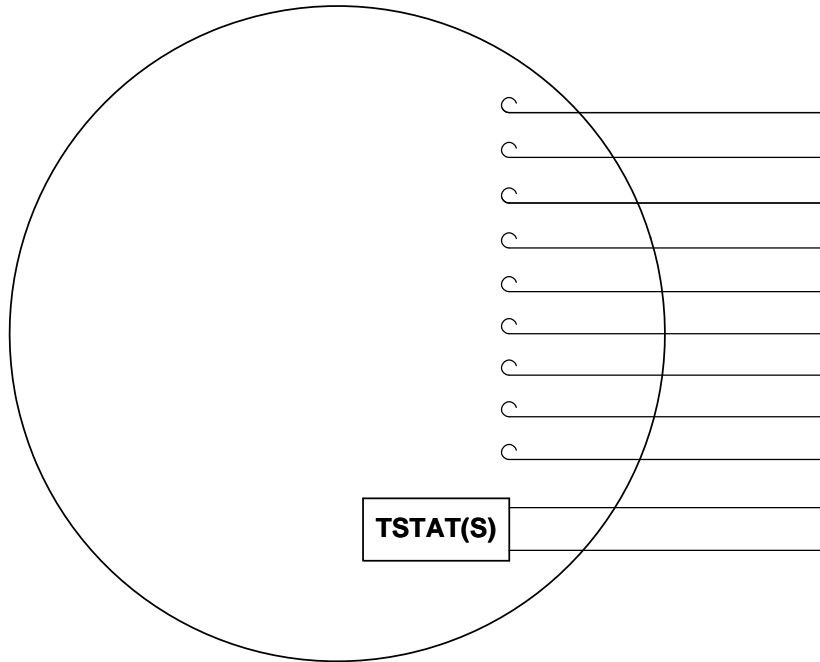
- SPECIAL FEATURES:
1. SHAFT SEALS & V-RING.
 2. PLUGGED DRAIN HOLES IN ENDBELLS & CONDUIT BOX.
 3. BUNA-N GASKETS THROUGHOUT.
 4. STAINLESS STEEL SHAFT, HARDWARE & NAMEPLATE.

DASH NO.	"C"	"AD"
700	12.93	4.19
750	13.43	4.69
775	13.68	4.94
800	13.93	5.19
850	14.43	5.69



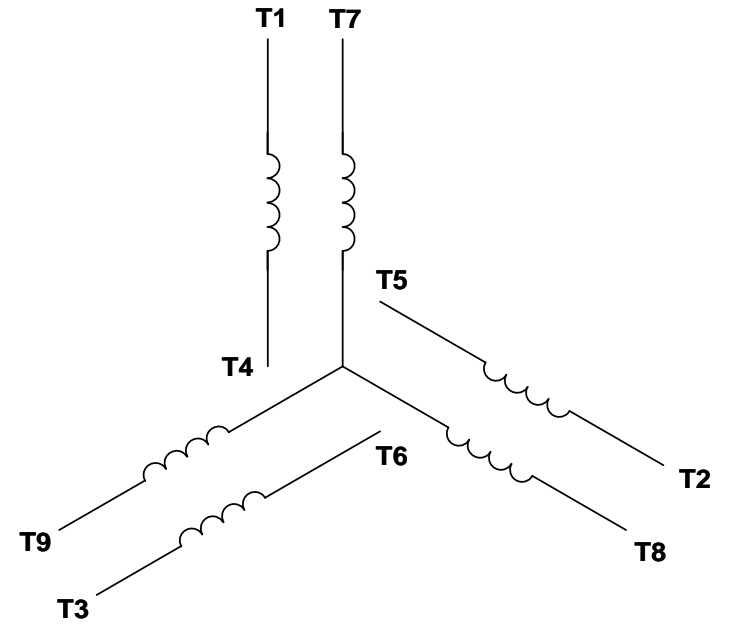
TOLERANCES UNLESS SPECIFIED		LEESON	ELECTRIC MOTORS GEARMOTORS AND DRIVES	DRAWN PG 02/01/11	
DEC	INCHES			CHK	APPR
x	±.1				
.xx	±.03			SCALE 3:8	
.xxx	±.005		TITLE OUTLINE - 140TC FRAME	REF 028811	
.xxxX	±.0005		TEFC - RIGID "C" FACE	FMF 121867.00	
			MATL WASHGUARD		
NO	REVISION	BY & DATE	CHK ANG ±1/2"	FINISH	PAGE OF
	THIRD ANGLE PROJECTION		RFP	PREV	SIZE DRAWING NO
			NETWORK FILE NAME 607-0003		B 607-0003
					REV

VIEW FROM OUTSIDE OF MOTOR AT SWITCH END. Uncontrolled Copy



- T1
- T2
- T3
- T4
- T5
- T6
- T7
- T8
- T9
- RED(P1)
- RED(P2)

LINE LEADS



VOLTAGE	L1	L2	L3	JOIN & INSULATE
HIGH	T1	T2	T3	(T4,T7) (T5,T8) (T6,T9)
LOW	T1,T7	T2,T8	T3,T9	T4,T5,T6

DRAWING REVISION G	REVISION BY MVG	DATE 04/05/2017
ECO ECO-0121253	APPROVED BY SM	DATE 04/05/2017

ECO DESCRIPTION
ADDED P1 & P2 FOR TSTAT

COPYRIGHT REGAL BELOIT AMERICA, INC. ALL RIGHTS RESERVED.
PROPRIETARY AND CONFIDENTIAL INFORMATION - THIS DOCUMENT IS THE PROPERTY OF
REGAL BELOIT AMERICA, INC. ("OWNER") AND CONTAINS OWNER'S PROPRIETARY
INFORMATION. ANY PERSON, CORPORATION OR OTHER FIRM RECEIVING IT IS DEEMED,
BY RECEIVING IT, TO AGREE THAT IT, AND/OR ANY PART OF IT, SHALL NOT BE DISCLOSED
TO ANY PERSON, CORPORATION OR OTHER ENTITY, DUPLICATED, AND/OR USED, EXCEPT
AS EXPRESSLY APPROVED IN WRITING IN ADVANCE BY OWNER. THIS DOCUMENT SHALL
BE RETURNED TO OWNER UPON REQUEST. IT MAY BE SUBJECT TO CERTAIN
RESTRICTIONS UNDER APPLICABLE EXPORT CONTROL LAWS AND REGULATIONS.

TOLERANCES UNLESS OTHERWISE SPECIFIED:

DEC.	INCH	mm	ANGLE
.X	±0.1	[±2.5]	±0.5°
.XX	±0.01	[±0.25]	
.XXX	±0.005	[±0.127]	
.XXXX	±0.0005	[±0.0127]	

REMOVE BURRS & BREAK SHARP EDGES: .003/.015 [.076/.381] X 45°
CORNER FILLETS: R.02 [.51]
MACHINED SURFACES: 125/3.2 INCH/mm
mm SHOWN IN [BRACKETS]

DRAWN BY DBT 12/16/97	DATE
APPROVED BY KH 12/17/97	DATE
REFERENCE	
THIRD ANGLE PROJECTION	

REGAL™ Regal Beloit America, Inc.

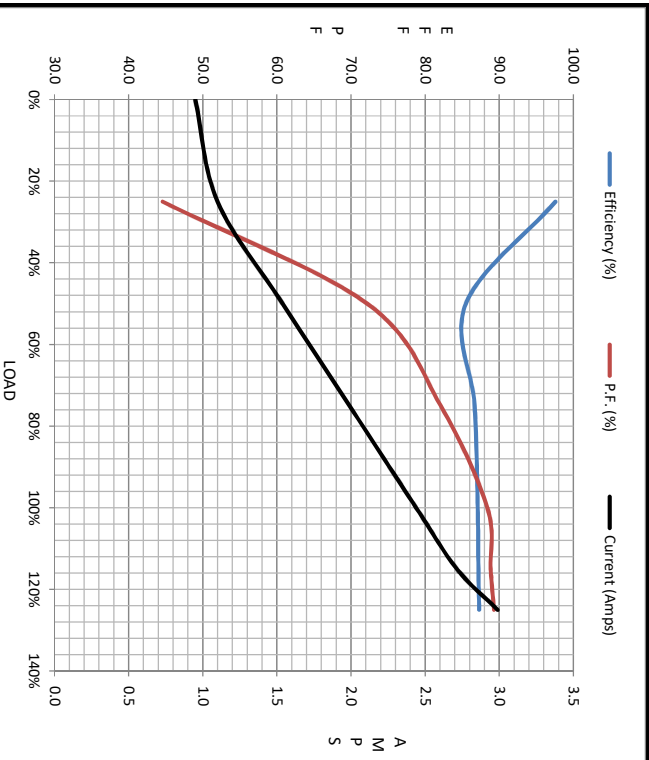
DESCRIPTION
CONN DIAGRAM-EXTERNAL
3 PHASE WITH PROTECTOR

MATERIAL DECAL - 004014 (TSTAT) - 080582	PROCESS/FINISH STOCK
SIZE A	DRAWING NUMBER 00501020
SHEET 1 OF 1	



Motor Load Data						LR		
Load	0%	25%	50%	75%	100%	115%	125%	
Current (Amps)	0.95	1.10	1.54	1.99	2.44	2.72	2.99	26.0
Torque (ft-lb)	0.00	0.75	1.50	2.25	3.0	3.4	3.8	10.8
RPM	3600	3581	3555	3533	3511	3501	3487	0
Efficiency (%)		97.6	85.5	86.7	87.1	87.2	87.3	
P.F. (%)	16.8	44.6	72.2	82.1	88.4	88.9	89.3	0.0

Motor Speed Data					Information Block																						
Speed (RPM)	LR	Pull-Up	BD	Rated	Idle	HP	Sync. RPM	Frame	Enclosure	Construction	Voltage	Frequency	Design	LR Code letter	Service Factor	Temp Rise @ FL	Duty	Ambient	Elevation	Rotor/Shaft wk ²	Ref Wdg	Sound Pressure @ 1M	VFD Rating	Outline Dwg	Conn. Diag	Additional Specifications:	
	0	200	2300	3511	3600	2.0	3600	140	TEFC	TFR	208-230/460	60	A	L	1.15	46	CONT	40	1,000	0.08	LB-FR	0	NONE	607-0003-750	005010.20		
Current (Amps)	26.0	23.9	15.6	2.44	0.95																						
Torque (ft-lb)	10.8	10.5	13.0	3.0	0.00																						



EQUIV CKT (OHMS / PHASE)				
R1	R2	X1	X2	Xm
0.0000	0.0000	0.0000	0.0000	0.0000

